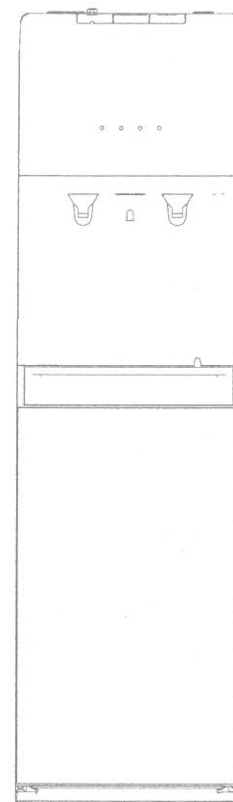


## 上流式蒸餾水機

### MODEL

SP-A12T-UP-1

請妥善保管本說明書  
使用飲水機前請仔細閱讀說明書內容



---

## 目 錄

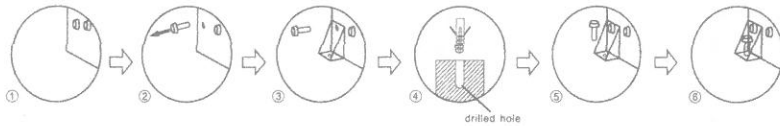
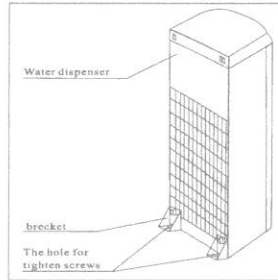
一 安全指引 .....	1
二 部件名稱 .....	2
三 安全事項 .....	3
四 開始使用 .....	4
五 飲水 .....	6
六 故障自檢 .....	7
七 技術參數 .....	7
八 電路圖 .....	8
九 清洗指南 .....	8
十 腳架安裝 .....	9

---

## J. MACHINE INSTALLATION

To prevent the machine from swaying to fall, please install the bracket accordingly.

1. Loosen the screw of the left or right bottom angle just as the picture shown.
2. Use the screw to fix the bracket on the left or right bottom angle of the water dispenser.
3. Make a hole on the floor's or the desk's surface where the water dispenser will be installed.
4. Fix the bracket on the floor by screw tightly.
5. Tighten the screw.



### NOTE:

Manufacture shall have the right to make changes without prior notice.

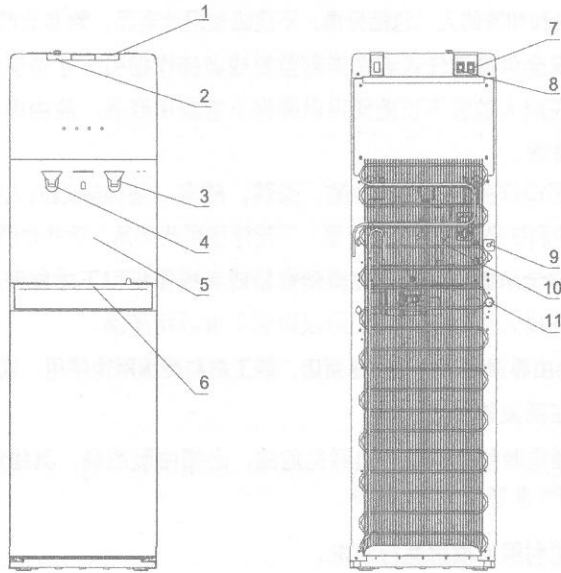
The packaging material used is recyclable; we recommend that you separate plastic, paper and cardboard and give them to recycling companies. To help preserve the environment, the refrigerant used in this product is R134a (Hydrofluorocarbon -HFC), which does not affect the ozone layer and has little impact on the greenhouse effect. According to WEEE (Waste of Electrical and Electronic Equipment) guidelines, waste from electrical and electronic devices should be collected separately. If you need to dispose of this appliance in the future, do NOT throw it away with the rest of your domestic garbage. Instead, please take the appliance to the nearest WEEE collection point, where available.



## 一 安全指引

1. 為了避免因操作失誤導致的危險，身體，感官，精神缺陷的人或者缺乏經驗的和知識的人（包括兒童）不建議使用此產品，除非他們願意為其人生安全承擔責任或者在得到監督或者操作指引下才能使用，兒童應該在成人監督下正確使用以確保不會誤用產品。應由專業人員清洗和維護。
2. 為了避免因操作失誤導致的危險，身體，感官，精神缺陷的人或者缺乏經驗的和知識的人（包括兒童）不建議使用此產品，除非他們願意為其人生安全承擔責任或者在得到監督或者操作指引下才能使用，兒童應該在成人監督下正確使用以確保不會誤用產品。
3. 產品是專為由專業培訓的用戶在商店，輕工業和農場用途使用，或供非專業人員在商業領域使用。
4. 如果飲水機電源軟線損壞，為避免危險，必須由製造商，其維修部或類似的部門專業人員來更換。
5. 產品絕不能利用水噴射進行清洗。
6. 產品僅適合室內使用。
7. 敬告：產品必須放置在通風處，並保持內置結構暢通。
8. 敬告：除了製造商推薦的方法，不要使用機械設備或其他方式加速除霜過程中。
9. 敬告：不要在食物儲藏室裡面使用電器設備，除非它們是由製造商推薦的類型。

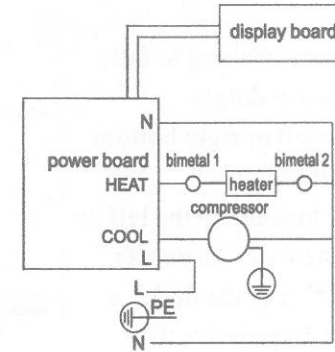
## 二 部件名稱



序號	零件名稱	序號	零件名稱
1	冷水按鈕	7	加熱開關
2	熱水按鈕	8	製冷開關
3	冷水出水口	9	電源線
4	熱水出水口	10	冷凝器
5	面蓋	11	熱水排水口
6	接水盒		

注：適宜使用5加侖的桶裝水。不應使用不健康硬水。

## H. CIRCUIT DIAGRAM



## I . CLEANING

To avoid accident, cut off the power supply before operation according to the following instruction.

- The machine had been disinfected before departed from factory.  
Cleaning the dispenser prior to installing a full bottle of water for the first time.
- Rinsing instruction:
  - Put the pumping pipe into the bottle.
  - Stop the bottle.
  - Push the bottle into the water drinking machine and close the door.
  - Turn on the power; let the machine pumped water then press the outlet button.
  - Turn off the power and remove the water bottle.
  - Open the drain plug in back of the machine.
  - Screw up the drain plug after water drained and you can use the machine.
- Draining instruction:
  - Open the hot water tap.
  - Open the outlet in back of the machine and drain the water.
  - After draining, cover the outlet and you can use the machine.  
(Attention: The drained water may be very hot, please operate it carefully.)
- Sanitizing:
 

Generally sanitizing should be done every 3 months (Exact time depends on the machine working environment). About the sanitizing and cleaning media use method please refer to the cleaning media use direction. You'd better consult your service providers for the help.

## F. TROUBLE SHOOTING

### Water is leaking

Unplug dispenser, remove bottle and replace it.

### No water is coming from the spout.

Make sure the bottle is not empty. If empty, replace it.

Make sure to completely depress the pushbutton controls.

### Cold water is not cold

It takes up to one hour after setup to dispense cold water.

Make sure the power cord is properly connected to a working outlet.

Make sure the back of the dispenser is at least 20cm from a wall and there is free airflow on all 20cm sides of the dispenser.

Make sure green power switch on back of dispenser is ON.

If water still isn't cold, please ask for the service agent for assistance.

### Hot water is not hot.

It takes 15-20 minutes after setup to dispense hot water.

Make sure the power cord is properly connected to a working outlet.

Make sure red power switch on back of dispenser is ON.

### Dispenser Is Noisy

Make sure the dispenser is positioned on a level surface.

## 三 安全事项

### ▲ 注意

爲了減少傷害的危險和財產的損失，用戶在裝配，安裝和操作飲水機前必須完整的閱讀本指南。

未能按照本手冊中說明操作，可能導致人身傷害或財產損失。

本產品流出非常高溫的水。如果不正確使用，可能導致人身傷害。當使用此飲水時，須執行以下的基本安全防範措施：

- 在使用之前，必須按照本手冊正確組裝和安裝飲水機。  
這飲水機的目的是提供飲水功能。不要裝入其他液體。不做其他用途。
- 他用途。除了已知的，微生物性安全的瓶裝水外，不要裝其他液體到本飲水機。
- 只能在室內使用。把飲水機放在不被陽光直射和乾燥的地方。不要在戶外使用。
- 只在堅硬，平坦的表面安裝和使用。
- 不要把飲水機放入封閉的空間或櫃子里。
- 不要在有爆炸性氣體的地方使用飲水機。
- 放置飲水機的背部離牆不少於20cm，以便飲水機和牆之間的空氣自由流通。
- 只使用接地線的插座。
- 不要給你的飲水機的電源線增加延長線。
- 如要拔出插頭，請直接抓住插頭，從插座上拔出。不要通過拉電源線拔掉插頭。
- 如果電源線磨損或損壞，不使用飲水機。
- 爲防止觸電，不要沉浸電源線，插頭，或飲水機的任何其他部份于水或其他液體中
- 清潔飲水機之前請確保拔下電源線。
- 勿讓子女在沒有適當和直接的監督下盛接熱水。
- 須由經過認證的技術人員維護。
- 注意：莫損壞製冷劑回路。

## G. TECHNICAL PARAMETERS

MODEL:	SP-A12T-UP-1	
DIMENSION:	316*360*1040mm	
RATED VOLTAGE:220-240V~	RATED FREQUENCY:50Hz	
RATED POWER:520W	HEATING POWER:420W	
HOT WATER:≥85°C 4L/h	COLE WATER:≤10°C 2L/h	
REFRIGERANT:R134a(32g)	COOLING CURRENT:1.0A	
COLD TANK CAPACITY:2L	HOT TANK CAPACITY:1L	

- 成人應監督孩子們，以確保兒童不玩弄該設備。
- 該設備不適宜給身體，感官或精神有殘缺的人（包括孩童）或是缺乏經驗和知識的人直接使用，除非有負責他們安全的人的監督或接受了使用該設備的指導。
- 此設備適用於家庭及以下場所：商店裡的員工廚房，辦公室和其他工作場所。農莊，酒店，旅館和他居住環境，起居飲食環境。
- 如果飲水機電源軟線損壞，為避免危險，必須由製造商，其維修部或類似的部門專業人員來更換。
- 勿把飲水機上下倒置或者是傾斜45度以上。
- 溫控器已調好，無需你再調整。當機器溫度低於冰點并被冰阻塞，冷卻開關必須關上4個小時再開通以繼續使用
- 關閉該機器3分鐘之後才能再重新打開
- 請勿在本水機內放置易燃易爆物體，如盛放了易燃气體的噴霧罐等。

## 四 開始使用

### 放置飲水機

1. 直立放置飲水機
2. 把飲水機放置在堅固的水平面上。同時確保附近有接地線的插座並且環境陰涼。

注意：此時且勿插電源線

3. 飲水機的背部和牆體間留有至少20cm，兩側的間隙至少要有20cm

### 組裝

1. 從櫃門移下滴水託盤，再把格網放到滴水託盤上。
2. 把滴水託盤和格網組件按到櫃門上

## E. DISPENSING WATER

This unit has been tested and sanitized prior to packing and shipping. During transit dust and odors can accumulate in the tank and lines. Dispense and dispose at least one quart of water prior to drinking any water.

### Dispensing Cold Water

After setup, it will take up to 1 hour to get water to maximum cold temperature. During this time the compressor could run continuously. This is normal.

1. Position bottle, glass, pitcher or cooking pot below spout.
2. Depress normal water control downward to start cold water flow.
3. Release control once desired fill level is achieved.

### Dispensing Hot Water

After setup, hot water will be available in 15-20 minutes.

1. Position bottle, glass, pitcher or cooking pot below spout.
2. Slide red button away from you and depress hot water control downward to start hot water flow.
3. Release control once desired fill level is achieved.

### Changing Bottles

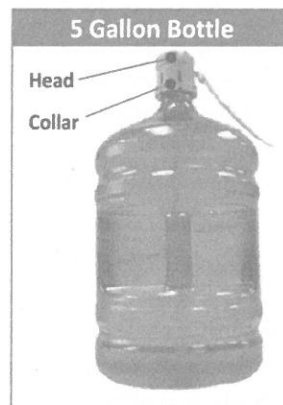
A flashing red light on your function lights alerts you when your bottle is empty. Replace the bottle as soon as possible.

Notice: Do not dispense hot, cool or cold water if the light is flashing as you could empty the tanks and cause the dispenser to overheat.

1. Open dispenser door.
2. Slide empty bottle out of cabinet.
3. Remove probe assembly from empty bottle. Place probe assembly on probe hanger.
4. Set empty bottle aside.
5. Place fresh bottle outside of cabinet. Remove entire plastic cap from top of bottle. Clean outside of new bottle with a cloth.
6. Place probe into bottle. Slide collar down until it clicks in place. Push head down until tubes hit bottom of bottle.
7. Slide bottle into cabinet and close door.

### Install Water Bottle

1. Open dispenser door.
2. Place probe assembly on probe hanger.
3. Place fresh bottle outside of cabinet.
4. Remove entire plastic cap from top of bottle.
5. Clean outside of new bottle with a cloth.
6. Place probe into bottle.
7. Slide collar down until it clicks in place.
8. Push head down until tubes hit bottom of bottle.
9. Slide bottle into cabinet and close door.



### Provide Electricity

Plug cord into a properly grounded wall outlet. At this time the pump will begin to move water from the bottle to the hot and cold tanks. It will take up to 5 minutes to fill the tanks for the first time. During this period the pump will run continuously. This is normal.

### Activate Heating & Cooling

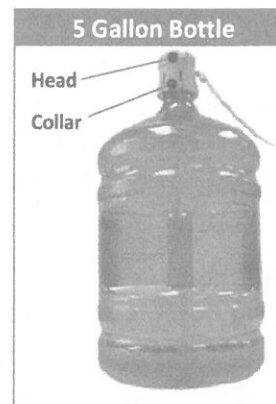
Notice: This unit will not dispense hot or cold water until the switches are activated.

To activate. Push top side of power switches in to start heating and cooling water.

- If you do not want to heat water, push bottom side of red switch on.
- If you do not want to cool water, push bottom side of green switch on.

### 安裝水桶

1. 打開飲水機的櫃門。
2. 把吸水組件安到掛架上。
3. 把新的水桶放到櫃旁邊。
4. 移除水桶口上的整個塑膠套。
5. 用布清潔水桶口的外部。
6. 將吸水伸進桶裏。
7. 將吸水管套圈壓緊至瓶口。
8. 將吸水管的接頭壓下，直到水管接觸到桶的底部。
9. 將水桶移入櫃內。



### 電源

將電源線接到有正確接地的牆壁插座上。此時，泵將開始把水從水桶抽到熱罐和冷罐里，若是第一次使用，將需要5分鐘以填滿儲水箱。在此期間，泵將持續運行。這是正常的。

### 啟動加熱和製冷

提示：在開關未被開啟時，該設備將不會流出熱水或冷水。接下機背頂部的製冷制熱開關，開始加熱或製冷。  
-如果你不想加熱水，可推下紅色開關至底部關閉熱水開關。  
-如果你不想制冷水，推下綠色開關至底部關閉冷水開關。

## 五 飲水

本機在包裝和運輸前已通過測試和消毒。

在運輸過程中，灰塵和氣味可能積累在水箱和管道裡。

在喝任何水之前，倒出并丟棄至少一夸脫的水

### 飲用冷水

開機後，飲水機需要1個小時已達到最大的製冷效果。在此期間，壓縮機可能持續運行。這是正常的。

1. 把水壺，水杯，水瓶或烹飪鍋放到出水口下。
2. 向下壓低冷水控制以使冷水流出
3. 一旦達到想要的水量就鬆開控制

### 飲用熱水（開機后，熱水機需要15-20分鐘）

1. 把水壺，水杯，水瓶或烹飪鍋放到出水口下。
2. 把紅色按鈕往你的反方向推，向下壓低熱水控制以使熱水流出
3. 一旦達到想要的水量就鬆開控制

### 更換水桶

功能燈會閃爍紅燈提醒你當水桶空了。儘快更換水桶。

提醒：當紅燈閃爍時，不要倒出熱水，涼水或冷水。因為這樣會使水箱空了并導致飲水機過熱。

1. 打開飲水機櫃門。
2. 把空水桶移出櫃子。
3. 把探頭移出空水桶。把探頭組件放在探頭掛架上。
4. 把空水桶放一邊。
5. 把新的水桶放到櫃旁邊。移出水桶口上的整個塑膠套。用布清潔水桶口的外部。
6. 將探頭伸進桶裏。將套圈向下移直到到位。將探頭的接頭向下。直到水管接觸到桶的底部。
7. 將水桶移入櫃內。并關上櫃門。

- The adult should supervise the children in order to make sure the children can not play with the appliance.
- The appliance is not intended for use by persons (including children) with reduce physical, sensory or mental capabilities, or lack of experience and knowledge, unless they have been given supervision or instruction concerning use of the appliance by a person responsible for their safety.
- This appliance is intended to be used in household and similar applications such as: -staff kitchen in hotels, motels and other residential type -farm houses; -by clients in hotels, motels and other residential type environments; -bed and breakfast type environments.
- If the supply cord is damaged, it must be replaced by the manufacturer, its service agent or similarly qualified avoid.
- Never turn the machine upside down or lean it more than 45°.
- Thermostat has be adjusted. No need to adjust it by yourself. When the machine is under the ice point and blocked by ice, the cooling switch must be closed for 4 hours before turning it on again to continue its operation.
- This machine should not be turned on until 3 minutes later after turning off the power switch.
- Do not store explosive substances such as aerosol cans with a flammable propellant in this appliance.

## D. GETTING STARTED

### Locate Dispenser

1. Place dispenser upright.
2. Locate dispenser on a hard and level surface in a cool shaded location near a grounded wall outlet.  
Notice:DO NOT plug in power cord yet.
3. Position dispenser so the back is at least 20cm from wall and there are at least 20cm of clearance on both sides.

### Assemble

1. Remove drip tray from door and place the grid on top.
2. Snap drip tray and grid assembly into door.



## C. SAFETY PRECAUTIONS

### ⚠ WARNING

To reduce risk of injury and property damage, user must read this entire guide before assembling, installing & operating dispenser.

Failure to execute the instructions in this manual can cause personal injury or property damage.

This product dispenses water at very high temperatures. Failure to use properly can cause personal injury.

When operating this dispenser, always exercise basic safety precautions, including the following:

- Prior to use, this dispenser must be properly assembled and installed in accordance with this manual.
- This dispenser is intended for water dispensing only. DO NOT use other liquids DO NOT use for other purposes. Never use any other liquid in the dispenser other than known and microbiologically safe bottled water.
- For indoor use only. Keep water dispenser in a dry place away from direct sunlight. DO NOT use outdoors.
- Install and use only on a hard, flat and level surface.
- DO NOT place dispenser into an enclosed space or cabinet.
- DO NOT operate dispenser in the presence of explosive fumes.
- Position back of dispenser no closer than 20cm from wall and permit free airflow between wall and dispenser. There must be at least 20cm clearance on the sides of the dispenser to permit airflow.
- Use only properly grounded outlets.
- Do not use an extension cord with your water dispenser.
- Always grasp plug and pull straight out from outlet. Never unplug by pulling on power cord.
- DO NOT use dispenser if cord becomes frayed or otherwise damaged.
- To protect against electric shock. DO NOT immerse cord, plug, or any other part of dispenser in water or other liquids.
- Ensure dispenser is unplugged prior to cleaning.
- Never allow children to dispense hot water without proper and direct supervision. Unplug unit to prevent unsupervised use by children.
- Service should be performed only by a certified technician.
- Warning: DO NOT damage the refrigerant circuit.

## 六 故障自檢

### 漏水

拔掉水機電源，移開水桶并替換。

### 出水口沒有水出

檢查水瓶內的水是否用完，如果用完，更換水桶。

確保控制按鈕已完全開啟。

### 冷水不冷

安裝后，需起碼啟動一個小時才有足夠冷的水。

確保電源線是否正確連接到了可正常使用的電源插座。

確保飲水機離牆之間留有至少20cm，以便水機與牆有20cm的空氣流通。

確保綠色電源按鈕為開啟。

如果冷水依然不冷，請要求服務代理提供援助。

### 熱水不熱

安裝后，熱水需加熱10-20分鐘。

確保電源線是否正確連接到了可正常使用的電源插座。

確保飲水機後面的紅色電源開關是開啟狀態。

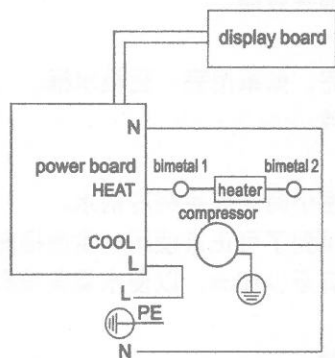
### 水機有噪音

確保水機被正確安置在水平面上。

## 七 技術參數

型號:	SP-A12T-UP-1	
規格:	316*360*1040mm	
額定電壓:	220-240V~	額定頻率: 50Hz
額定功率:	520W	加熱功率: 420W
加熱能力:	≥85°C 4升/小時	製冷能力: ≤10°C 2升/小時
冷媒:	R134a(32g)	製冷電流: 1.0A
冷罐容積:	2升	熱罐容積: 1升

## 八 電路圖

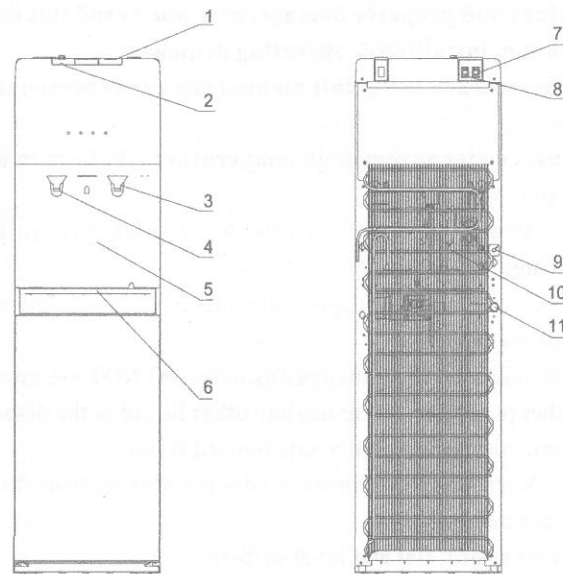


## 九 清洗指南

切記：在進行下列各項操作前，請拔出機器電源以防意外發生

1. 新機在出廠時已消毒，第一次使用，只需用水沖洗即可。
2. 沖洗方式如下：  
將抽水管放入水瓶蓋好并推入水機內關門，打開電源，待水機抽水，按前面板的出水按鈕，關閉電源，取出水瓶，打開機身背面的排水塞，將機內餘水全部排清，旋上排水塞，即可正常使用。
3. 排水方式如下：  
先把熱水水龍頭打開，再把機身背部的排水口，將機內的餘水全部排清，關上排水口，即可正常使用。（注意：熱水罐所排出的水，溫度可能很高，請小心操作）
4. 一般情況消毒，每3個月進行一次（具體時間是飲水機使用的環境而定）。消毒清洗和除垢劑方法參照消毒劑的除垢劑的使用說明書。應由相關服務商進行專業消毒處理及清潔。

## B. PART NAME



NO.	PART NAME	NO.	PART NAME
1	push button of cold water	7	heating switch
2	push button of hot water	8	cooling switch
3	cold spout	9	power cord
4	hot spout	10	condenser
5	front carapace	11	outlet of hot water
6	water collector		

### NOTE:

This machine can be suitable for bottle of 5 gallons. Do not use unhealthy hard water.

## A: SAFETY INSTRUCTION

1. This appliance can be used by children aged from 8 years and above and persons with reduced physical, sensory or mental capabilities or lack of experience and knowledge if they have been given supervision or instruction concerning use of the appliance in a safe way and understand the hazards involved. Children shall not play children without with the appliance.

Cleaning and user maintenance shall not be made by supervision.

2. Appliances can be used by persons with reduced physical, sensory or mental capabilities or lack of experience and knowledge if they have been given supervision or instruction concerning use of the appliance in a safe way and understand the hazards involved. Children shall not play with the appliance.

3. This appliance is intended to be used by expert or trained users in shops, in light industry and on farms, or for commercial use by lay persons.

4. If the supply cord is damaged, it must be replaced by the manufacturer, its service agent or similarly qualified persons in order to avoid a hazard.

5. The appliance must not be cleaned by a water jet.

6. The appliance is suitable for indoor use only.

7. **WARNING:** Keep ventilation openings, in the appliance enclosure or in the built-in structure, clear of obstruction.

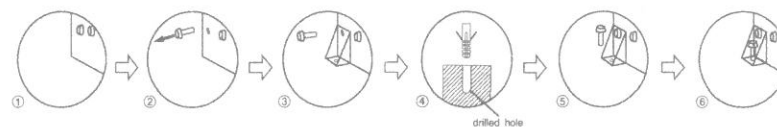
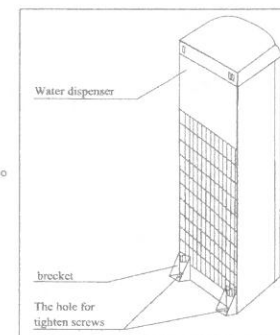
8. **WARNING:** Do not use mechanical devices or other means to accelerate the defrosting process, other than those recommended by the manufacturer.

9. **WARNING:** Do not use electrical appliances inside the food storage compartments of the appliance, unless they are of the type recommended by the manufacturer.

## 十 腳架安裝

為防止機子側翻，請安裝相應腳架

1. 鬆開機身左下角處或右下角處的螺絲。
2. 用螺絲將腳架固定于機身左下角或右下角。
3. 在放置飲水機處的地板鑽孔
4. 安裝腳架并壓緊
5. 擰緊螺絲



注：生產商保留更改之權利而不作另行通知

本產品所使用的包裝材料都是可回收的。我們建議您單獨將塑料，紙張和紙板交到回收站，以助環境保護。產品使用的是製冷劑R134a（氫氟烴-HFC），其不影響臭氧層，對溫室效應的影響不大。根據WEEE準則（電氣與電子設備廢物），電氣和電子設備廢棄物應單獨收集。如果將來您需要處置本產品，請不要與你的生活垃圾一同廢棄。而請將產品送至最近的WEEE收集點，如果有的話。





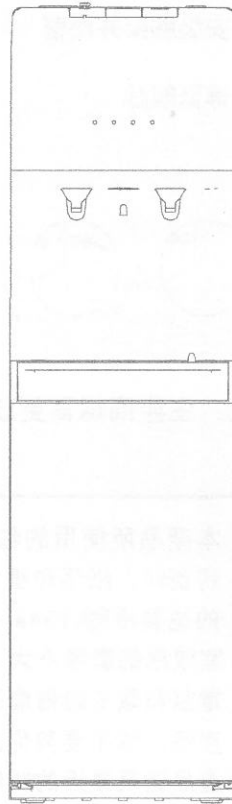
# USER'S MANUAL

## Bottom Loading Water Dispenser

### MODEL

SP-A12T-UP-1

KEEP THIS MANUAL IN GOOD CONDITION  
PLEASE READ THIS MANUAL CAREFULLY  
BEFORE USING THE MACHINE  
REV.



## DIRECTORY

A: SAFETY INSTRUCTION .....	1
B:PART NAME.....	2
C:SAFETY PRECAUTIONS .....	3
D:GETTING STARTED.....	4
E:DISPENSING WATER.....	6
F:TROUBLESHOOTING .....	7
G:TECHNICAL PARAMETERS .....	7
H:CIRCUIT DIAGRAM.....	8
I:CLEANING.....	8
J: MACHINE INSTALLATION.....	9